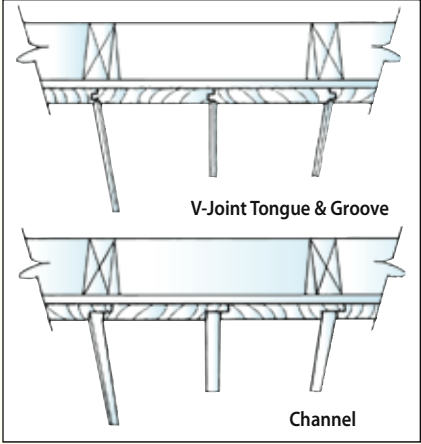


SOLID WOOD PANELING

RED CEDAR

	Code	Lengths	Price
1" x 6" V-Joint #3	(163CV)	6' - 16'	\$1.60 ft.
1" x 8" V-Joint #3	(183CV)	6' - 16'	\$2.15 ft.
1" x 4" V-Joint A & Btr.	(14ACV)	6' - 16'	\$2.25 ft.
1" x 6" V-Joint A & Btr.	(16ACV)	6' - 16'	\$3.85 ft.
1" x 8" V-Joint A & Btr.	(18ACV)	6' - 16'	\$5.60 ft.
1" x 4" Tight-Joint A & Btr.	(14ACNV)	6' - 16'	\$2.25 ft.
1" x 6" Tight-Joint A & Btr.	(16ACNV)	6' - 16'	\$3.85 ft.
1" x 6" Channel #3	(163CC)	6' - 16'	\$1.70 ft.
1" x 8" Channel #3	(183CC)	6' - 16'	\$2.40 ft.
1" x 10" Channel #3	(1103CC)	6' - 16'	\$3.15 ft.

ALL SPECIES, TYPE & SIZES SHOWN ARE IN STOCK



IDAHO WHITE PINE

1" x 6" V-Joint #2	(162PV)	6' - 16'	.98 ft.
1" x 8" V-Joint #2	(182PV)	6' - 16'	\$1.39 ft.
1" x 10" V-Joint #2	(1102PV)	6' - 16'	\$1.95 ft.

EASTERN WHITE PINE

1" x 8" Channel Premium	(18PC)	6' - 16'	\$1.00 ft.
1" x 8" Channel Standard	(18SPC)	6' - 16'	.85 ft.
1" x 10" Channel Premium	(110PC)	6' - 16'	\$1.25 ft.
1" x 12" Sq. Edge Premium	(112RP)	6' - 16'	\$1.55 ft.
1" x 6" EP Novelty Siding #106	(16EPNS)	6' - 16'	.85 ft.
1" x 6" V-Joint Standard	(16EPV)	6' - 16'	.61 ft.
1" x 8" V-Joint Standard	(18EPV)	6' - 16'	.89 ft.
1" x 10" V-Joint Standard	(110EPV)	6' - 16'	\$1.45 ft.
1" x 8" Ship-Lap Standard	(18SPS)	6' - 16'	.85 ft.
1" x 12" Square Edge Standard	(112RPS)	6' - 16'	\$1.30 ft.
1" x 6" Edge & Center Bead	(16BP)	6' - 16'	.85 ft.



EDGE & CENTER BEAD FIR

CEILING/WAINSCOTING

• For use on ceilings or walls

5/8" x 4"
C & Btr. Fir



lengths 6'-16' (584FC) sq. ft. to cover
x 4.0 = lin. ft. **82¢**

PRIMED FINGER JOINT PINE BEADED CEILING

BEADED CEILING/WAINSCOTING

5/8" x 4"



16' only (14PPBC) **99¢**

1" x 6"

16' only (16PPBC) sq. ft. to cover
x 2.8 = lin. ft. **\$1.55**

PRIMED POPLAR

WOOD PROFILES

Beadboard Cap

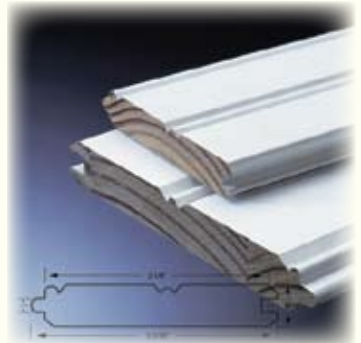
1-3/4" x 1-1/2" (BBC) **\$3.05** LF.



Sold in lengths 6' to 16'

Wainscot Cap

7/8" x 1-1/2" (RECM) **\$1.45** LF.



Prices are for reference only - Please call for up to date costs and current specials